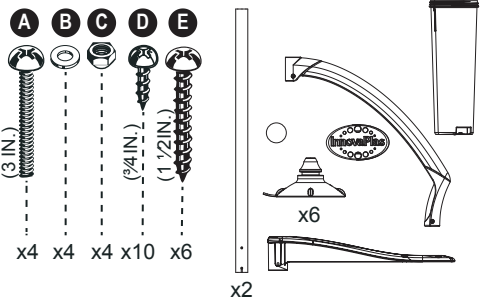


MAJESTIC 8000 WITH CLASSIC LADDER 6004

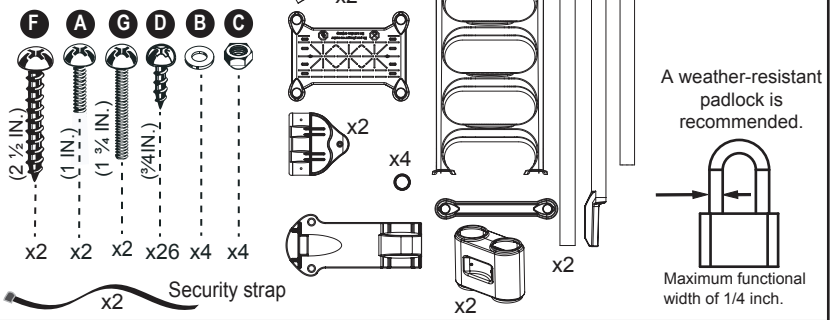
Contents of accessory box SKU # 8000

SCREW KIT 140-0062



Contents of the ladder box SKU # 6004

SCREW KIT 140-0050



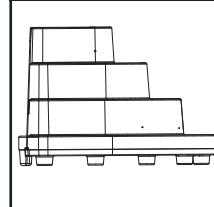
⚠️ WARNING

- ▶ Install the step on a flat surface.
- ▶ Do not jump or dive from the step or ladder.
- ▶ Remove the step from water when temperatures drop below freezing.
- ▶ In winter, the step should be stored in an area protected from snow.
- ▶ Never lift the step by its handrails.
- ▶ Use BATTERY operated tools to avoid electric shock near water.
- ▶ Ensure no corrosive materials are added to the step or hardware kit.
- ▶ The step must be installed per manufacturer's instructions.
- ▶ File off all stripped or sharp edges before assembly to avoid injuries and liner damage.
- ▶ The manufacturer is not responsible for damages or injuries caused by improper installation or use of product.
- ▶ To ease the installation of handrails and bolts, use a screwdriver to line up the holes.
- ▶ **Maximum weight: 300 lbs / 135 kg.**

Required tools (not included)

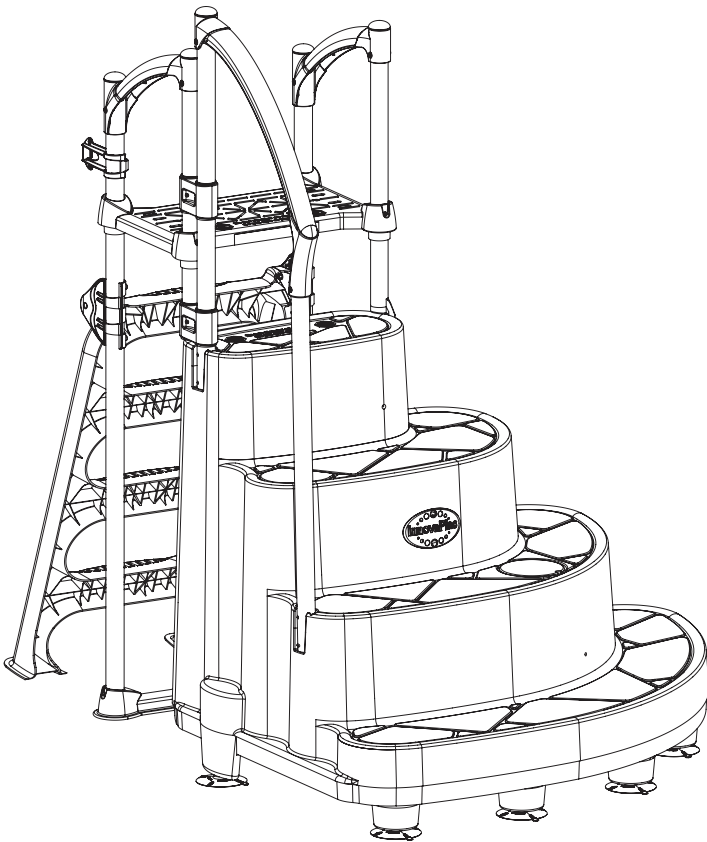


Step shell



Sand

(not included)



A

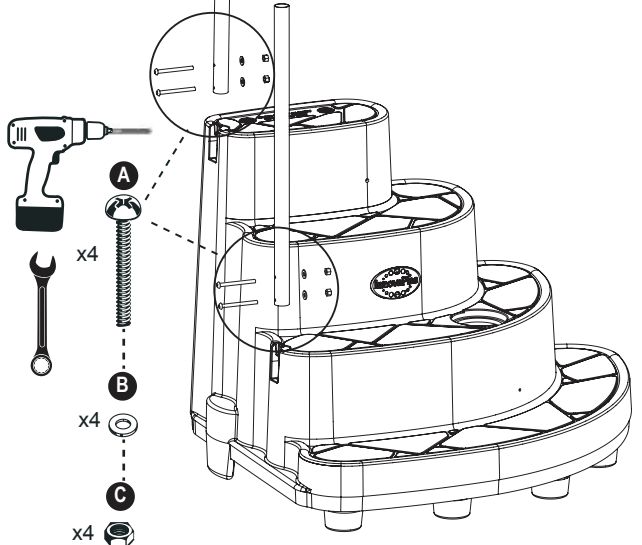


x4

1) Insert the two 39" posts into the step recesses and secure them in place with the bolts, washers and nuts provided.

2) Slide the two spacers on the top post. Do not secure yet.

3) Insert the handrail over the left side posts. Secure it using the screws provided.



MANUFACTURER WARRANTY

**1 year on step and ladder
1 year on hardware.**



2257 route 139
Drummondville, Québec
J2A 2G2

WWW.INNOVAPLAS.COM

REV. 02/07/2023

PN:

PG:1

MAJESTIC 8000 WITH CLASSIC LADDER 6004

B

- 1) Slide the platform on the flanged post.
- 2) Insert the short 29.25" hollow post, on the other side, through the spacers and platform.
- 3) Insert the two small handrails over the posts. Don't secure yet.
- 4) Once inserted in the spacers, use the 29.25" hollow post as a pivot to slide the flanged post on the other side. Drill two 5/16" holes.
- 5) Secure the flanged post with the bolts, washers and nuts provided.

C

- 1) Make sure to leave a 1/4" clearance between the bottom spacer and the top of the step. Secure in place with the screws provided.
- 2) Measure 12" between the two spacers. Secure in place with the screws provided.
- 3) Don't secure the platform yet.

D

- 1) Insert the six Step Cups™ in the holes under the step.*

* View step cups installation tips on YouTube:
<https://www.youtube.com/watch?v=W5RH1VNxpu0>

- D1) Insert half of the Step Cup mushroom ring in the hole, at a 45 degree angle.
- D2) With a flat screwdriver, compress the Step Cup mushroom ring while pushing it into the hole.
- D3) Twist the Step Cup to ensure that the mushroom ring has entirely cleared the wall thickness. If it has, the suction cup should rotate freely.

CAUTION

Failing to install the Step Cup™ system will greatly reduce the steadiness of the step and will void the manufacturer warranty.

E

- 1) Fill the ballast with sand. The approximate weight should be 15 lbs.
- 2) Screw the lid in place and align the cover ribs with the holes in the ballast base.
- 3) Fasten the cover to the ballast base with the four screws provided.



2257 route 139
 Drummondville, Québec
 J2A 2G2

WWW.INNOVAPLAS.COM

MANUFACTURER WARRANTY

1 year on step and ladder
 1 year on hardware.

REV. 02/07/2023

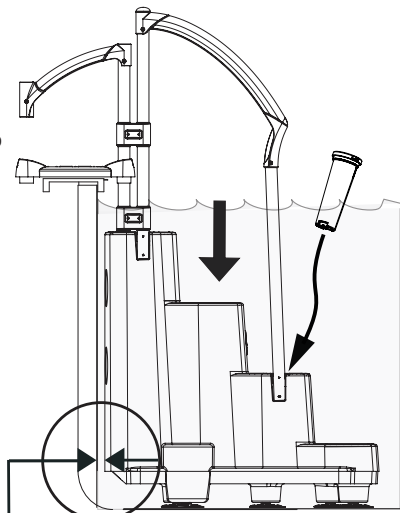
PN:

PG:2

MAJESTIC 8000 WITH CLASSIC LADDER 6004

F

- 1) Slowly submerge the step into the pool. Make sure you do not damage the pool liner in the process.
- 2) Angle the whole step so that it is entirely under water. Purge all the air from under the steps.
- 3) Apply firm pressure on the step to allow the Step Cup to stick on the pool bottom.
- 4) Drop the ballast in the step hole.

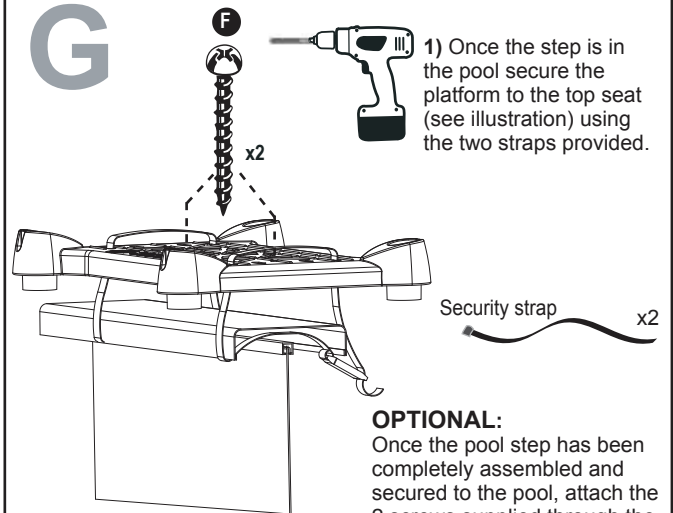


*MINIMUM 1"

CAUTION

To prevent pool liner puncture, keep a minimum 1" gap between the pool liner and the rear underside of the step.

G

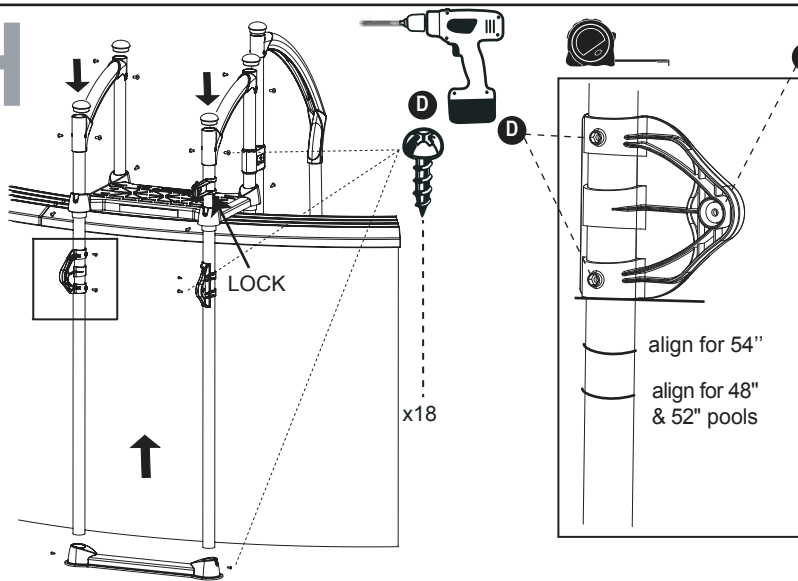


- 1) Once the step is in the pool secure the platform to the top seat (see illustration) using the two straps provided.

OPTIONAL:

Once the pool step has been completely assembled and secured to the pool, attach the 2 screws supplied through the platform to the top seat of your pool to provided a more rigid assembly.

H



- 1) Trace a line on each post at 39 inches from the ground for 48" and 52" pools. If you have a 54" pool, trace a line at 40.5 inches from the ground.

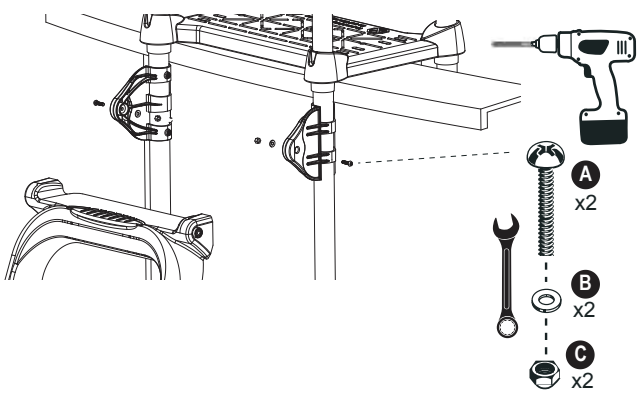
- 2) Slide the pivot blocks onto the posts and line up with the traced marks. Secure with the screws provided.

- 3) Attach the ladder base to the bottom of the posts with the screws provided.

- 4) Slide the posts through the platform. Slide the lock over right post between the platform and the handrail. Secure the platform using the screws provided.

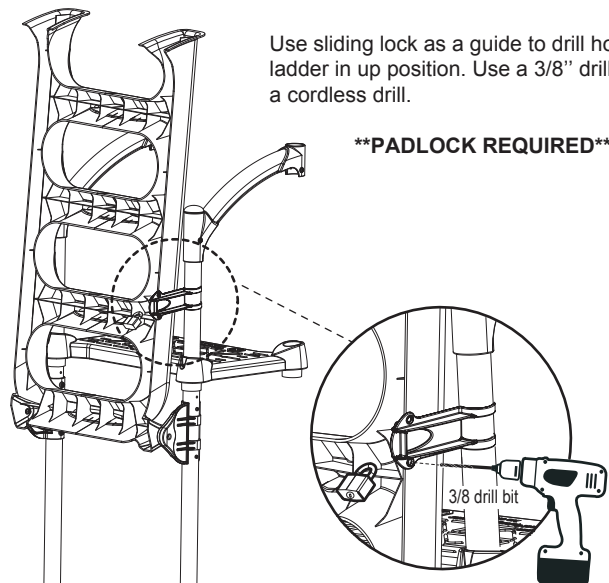
- 5) Slide the posts through the handrails. Insert the post covers into the handrails. If they protrude too much, raise the handrails until the post covers are seated securely on the posts. Secure the short handrails in place with the screws provided.

- 1) Attach the ladder to the pivot blocks with the bolts, washers and nuts provided.



Use sliding lock as a guide to drill hole into ladder in up position. Use a 3/8" drill bit with a cordless drill.

****PADLOCK REQUIRED****



WARNING

SWING THE LADDER UP AND LOCK IN PLACE WHEN THE POOL IS NOT IN USE TO PREVENT DROWNING AND UNAUTHORIZED ENTRY.

MANUFACTURER WARRANTY

**1 year on step and ladder
1 year on hardware.**