

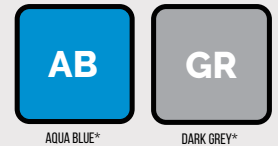
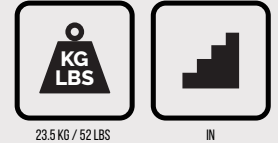
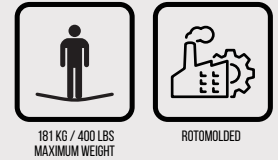
# SpaceSaver | ME.200.13

Aboveground pool step

## THE INDUSTRY'S LARGEST 2 HANDRAILS DROP-IN STEP

The SpaceSaver is specially designed for aboveground pools with a deck and comes with two aluminum\* handrails.

It is vented for increased water flow to prevent algae growth. With step cups, deck flanges, and front-loading ballast.



\*LIMITED QUANTITY



Add some light!

**INNOVALITE**  
9015-RGB/BT



- Easy to install
- Choice of white LED lights or colors, Bluetooth-controlled

701-0058 / ME200.13\_EN REV02/23  
AVAILABLE: QC | CA | US | INT

For more information, visit  
[www.innovaplas.com](http://www.innovaplas.com)

# SpaceSaver | ME.200.13

Aboveground pool step

- Slip-resistant surfaces
- Outstanding resistance to UV rays
- Step to deck only.
- Meets current and proposed ISPCS standards

## FRONT-LOADING COUNTERWEIGHT SYSTEM

This simple, removable counterweight system not only offsets flotation but also makes winterizing your step easier.



## STEP CUPS

THE ULTIMATE IN LINER PROTECTION!

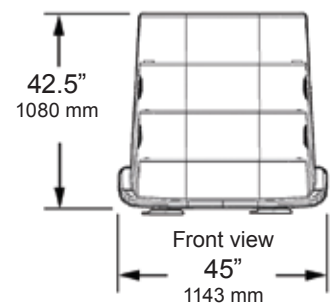
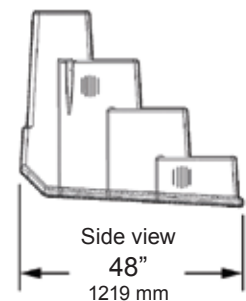
Combined with the counterweight system, the Step Cups will maximize protection of your liner while keeping the step in position at the bottom of your pool by a suction concept. No need for sandbags with a deck application. (canadian patent #2,612,816 - U.S. patent pending)

\* It is not recommended to install aluminum handrails if your pool is operated with a salt system in order to avoid corrosion.



 181 KG / 400 LBS MAXIMUM WEIGHT	 ROTMOLDED
 23.5 KG / 52 LBS	 IN
 DIMENSIONS 42.5 X 45 X 48 IN 108 X 114.3 X 122 CM	 IN A BAG
 ABOVEGROUND POOL	 WHITE
 AQUA BLUE*	 DARK GREY

\*LIMITED QUANTITY



701-0058 / ME200.13\_EN REV02/23  
AVAILABLE: QC | CA | US | INT



For more information, visit  
[www.innovaplas.com](http://www.innovaplas.com)