

Step I | MA.000.13

Aboveground pool step

EASY INSTALLATION IN ABOVEGROUND POOLS

Round step in the "wedding cake" style for aboveground pools with a deck, the Step I comes with a central aluminum handrail, step cups, a deck flange, and a front-loading ballast.



181 KG / 400 LBS
MAXIMUM WEIGHT



ROTMOLDED



34.47 KG / 76 LBS



IN



DIMENSIONS
40.5 X 48 X 48 IN
102.9 X 122 X 122 CM



IN A BAG



ABOVEGROUND POOL



WHITE



ONE PIECE

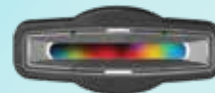


EASY ASSEMBLY



Add some light!

INNOVALITE
9015-RGB/BT



- Easy to install
- Choice of white LED lights or colors, Bluetooth-controlled

701-0048 / MA000.13SB.EN REV02/23
AVAILABLE: QC | CA | US | INT

For more information, visit
www.innovaplas.com

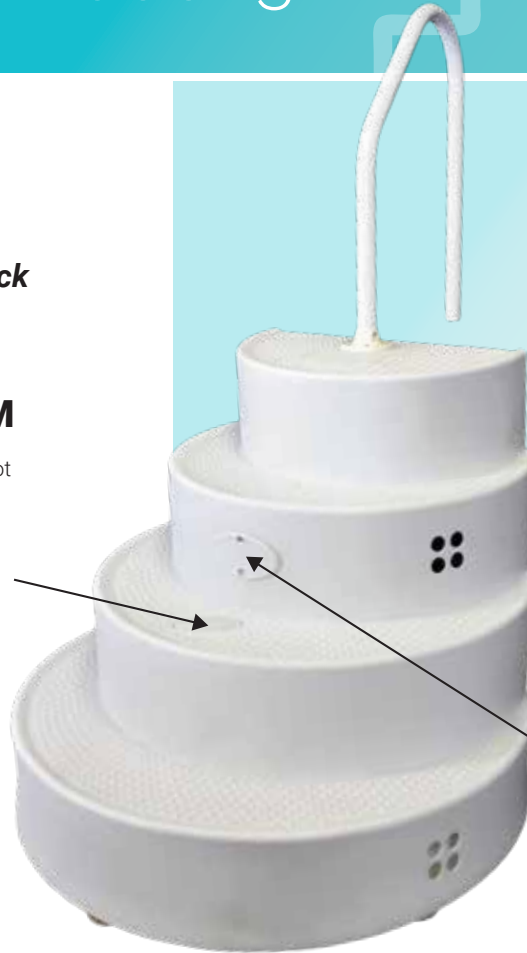
Step I | MA.000.13

Aboveground pool step

Adds refinement to the overall appearance of your pool and deck

FRONT-LOADING COUNTERWEIGHT SYSTEM

This simple, removable counterweight system not only offsets flotation but also makes winterizing your step easier.



Light cap for optional lighting system

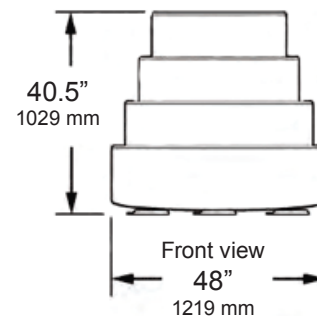
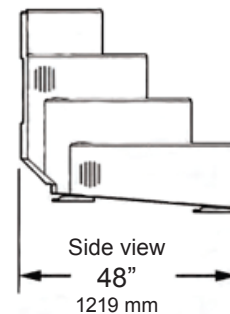


STEP CUPS

THE ULTIMATE IN LINER PROTECTION

Combined with the counterweight system, the Step Cups will maximize protection of your liner while keeping the step in position at the bottom of your pool by a suction concept. No need for sandbags with a deck application. (canadian patent #2,612,816 - U.S. patent pending)

- Step to deck model only.
- Get in and out of your pool at your own pace.
- Relax while sitting and watch you children swim.
- Resistant to UV rays, impacts and pool maintenance chemicals.
- This step was not designed for physically-challenged people



 181 KG / 400 LBS MAXIMUM WEIGHT	 ROTMOLDED
 34.47 KG / 76 LBS	 IN
 DIMENSIONS 40.5 X 48 X 48 IN 102.9 X 122 X 122 CM	 IN A BAG
 ABOVEGROUND POOL	 WHITE
 ONE PIECE	 EASY ASSEMBLY



For more information, visit www.innovaplas.com