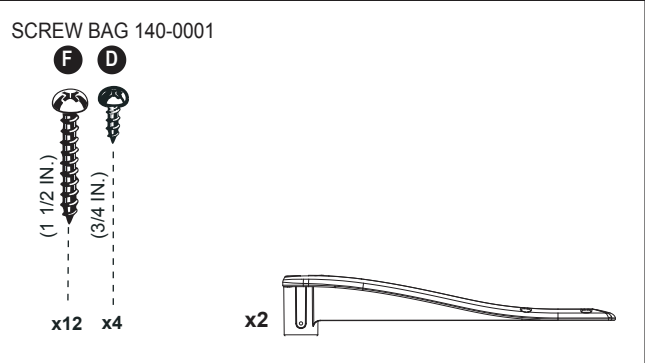
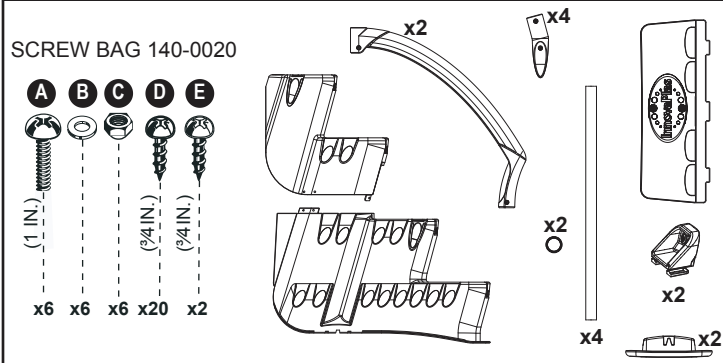


BILTMOR 5001 WITH DECK KIT 9005

Contents of the Biltmor box SKU # 5001

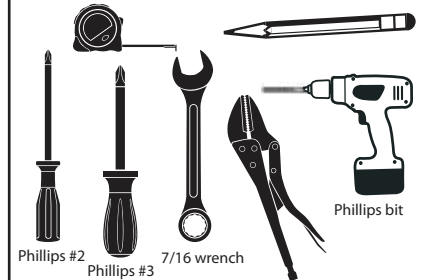
Contents of the deck kit SKU # 9005



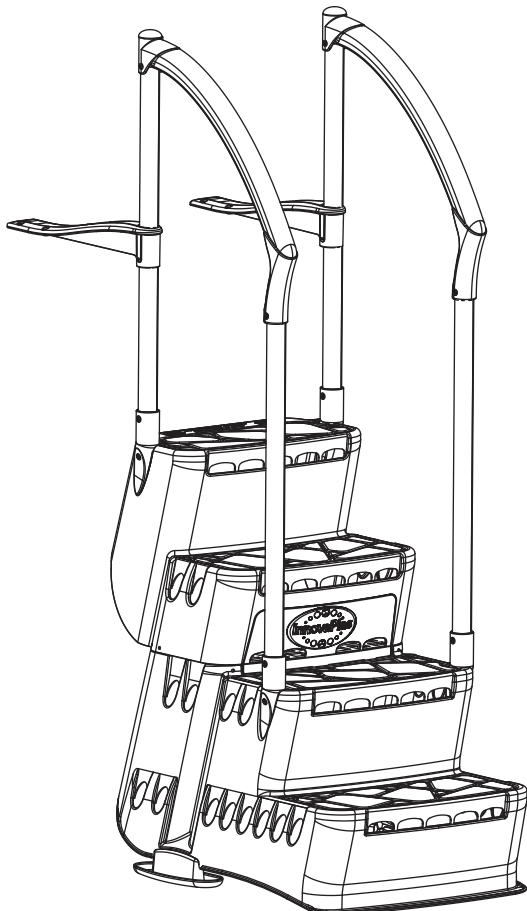
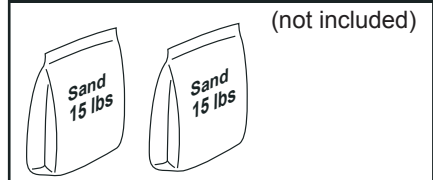
⚠ WARNING

- ▶ Install the step on a flat surface.
- ▶ Do not jump or dive from the step.
- ▶ Remove the step from water when temperatures drop below freezing.
- ▶ In winter, the step should be stored in an area protected from snow.
- ▶ Never lift the step by its handrails.
- ▶ Use BATTERY operated tools to avoid electric shock near water.
- ▶ Ensure no corrosive materials are added to the step or hardware kit.
- ▶ The step must be installed per manufacturer's instructions.
- ▶ File off all stripped or sharp edges before assembly to avoid injuries and liner damage.
- ▶ The manufacturer is not responsible for damages or injuries caused by improper installation or use of product.
- ▶ To ease the installation of handrails and bolts, use a screwdriver to line up the holes.
- ▶ **Maximum weight: 300 lbs / 135 kg.**

Required tools (not included)

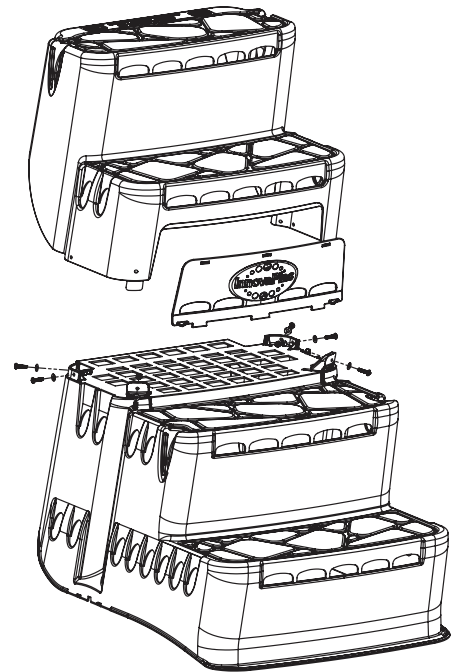
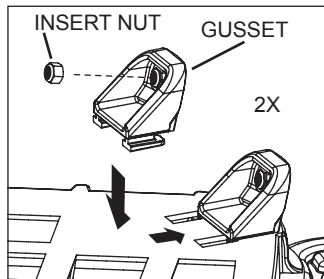
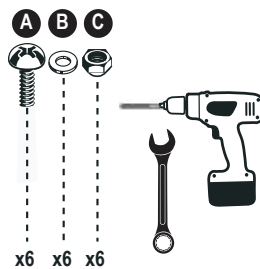


Sand



A

- 1) Insert the two gussets in the slots and slide them toward the corners.
- 2) Assemble the two main modules with the six screws, nuts and washers provided.
- 3) Snap the door between the top and bottom module within the slots provided.



MANUFACTURER WARRANTY

**1 year on step and ladder.
 1 year on hardware.**



2257 route 139
 Drummondville, Québec
 J2A 2G2

WWW.INNOVAPLAS.COM

REV. 02/07/2023

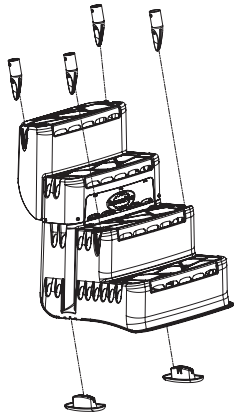
PN:

PG:1

BILTMOR 5001 WITH DECK KIT 9005

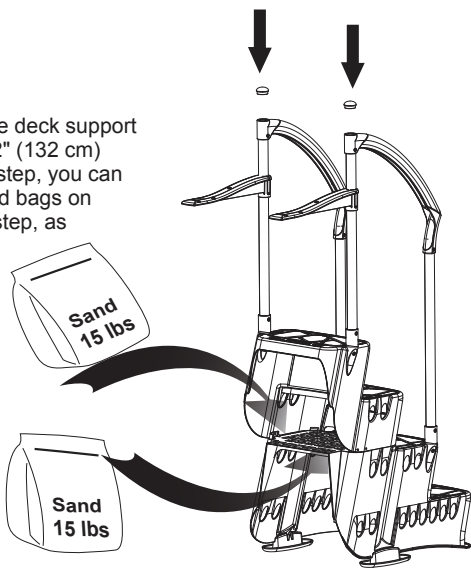
B

- 1) Snap the four post ends into the step, making sure that the cylindrical part is vertical and that the ends are snapped properly in their respective housings.
- 2) Snap the two feet to the bottom of the step.



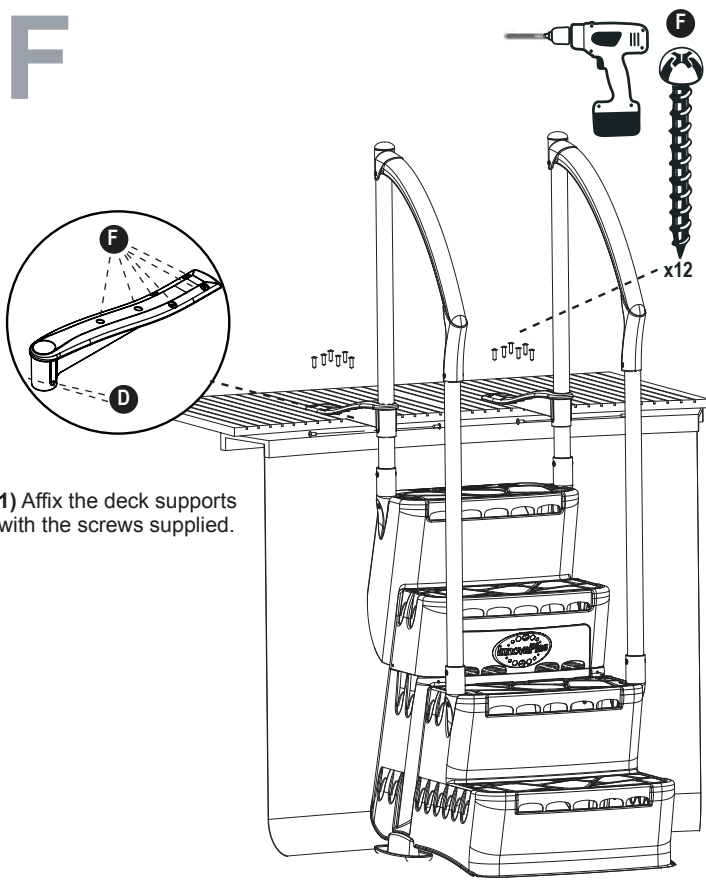
D

- 1) For installs where the deck support is located more than 52" (132 cm) from the bottom of the step, you can add 2 15 lbs (7 kg) sand bags on either side of the third step, as shown.
- 2) Install the small post covers.



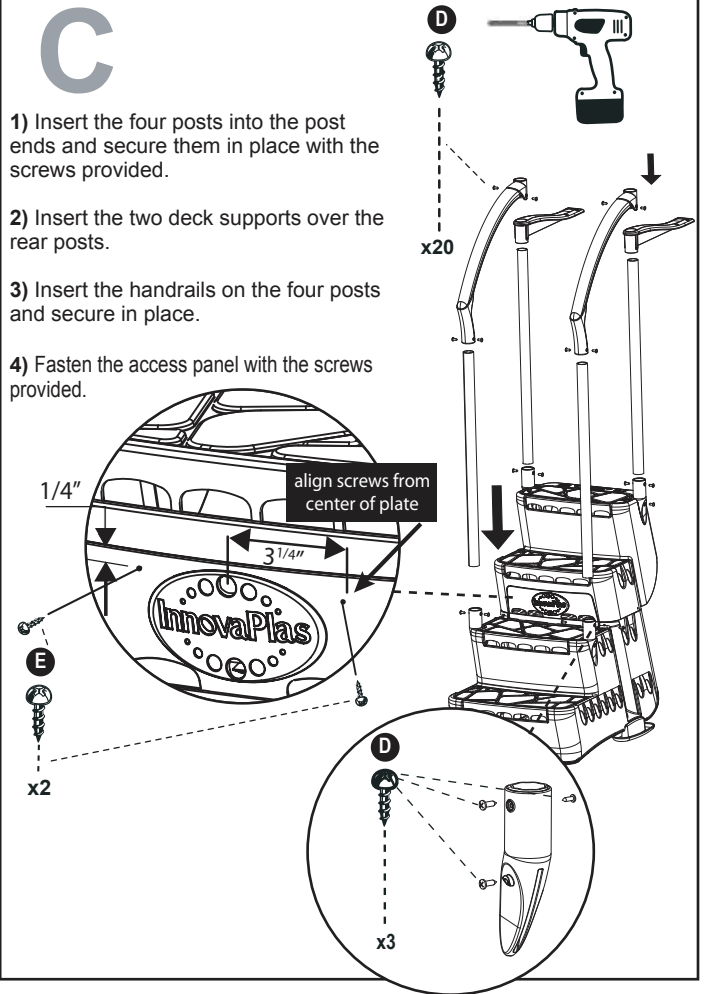
F

- 1) Affix the deck supports with the screws supplied.



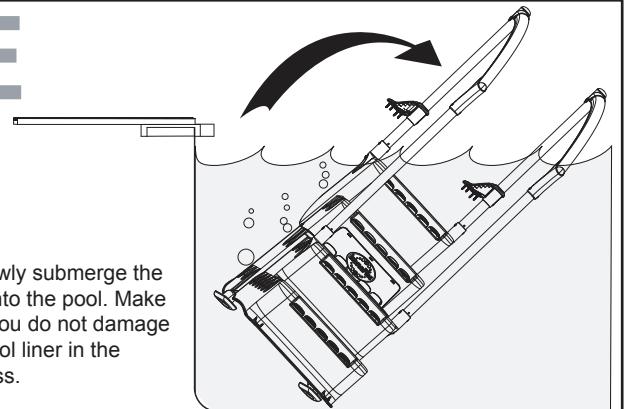
C

- 1) Insert the four posts into the post ends and secure them in place with the screws provided.
- 2) Insert the two deck supports over the rear posts.
- 3) Insert the handrails on the four posts and secure in place.
- 4) Fasten the access panel with the screws provided.



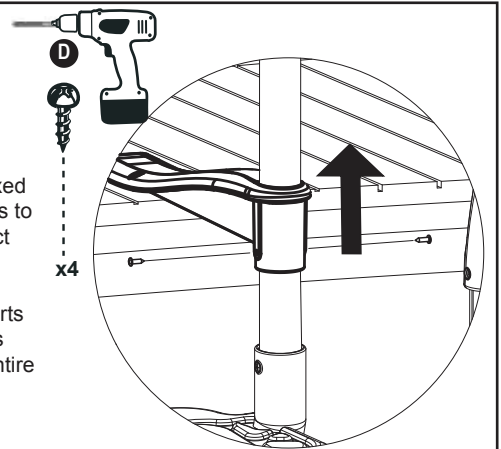
E

- 1) Slowly submerge the step into the pool. Make sure you do not damage the pool liner in the process.
- 2) Angle the whole step so that it is entirely under water. Purge all the air from under the steps.



G

- 1) Pull the deck supports (already fixed to the deck) upwards to create a spring effect on the step.
- 2) Fasten the supports to the two rear posts while pushing the entire step downwards.



MANUFACTURER WARRANTY

**1 year on step and ladder.
1 year on hardware.**