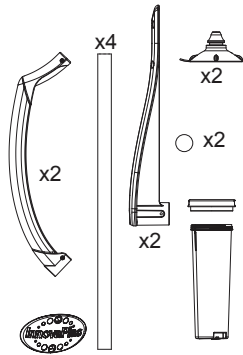
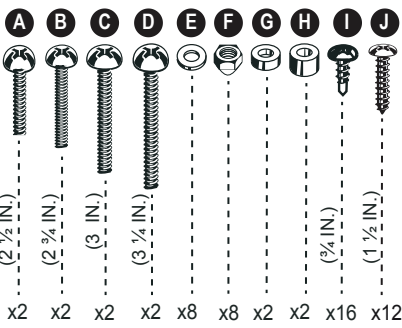


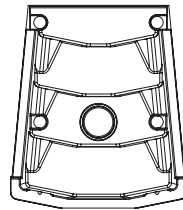
ROYAL ENTRANCE II WITH DECK

Contents of the Accessories box #2020-HRK

SCREW KIT 140-0070

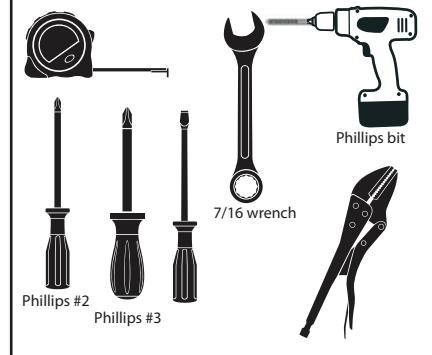


Step Shell



Required tools

(not included)



⚠ WARNING

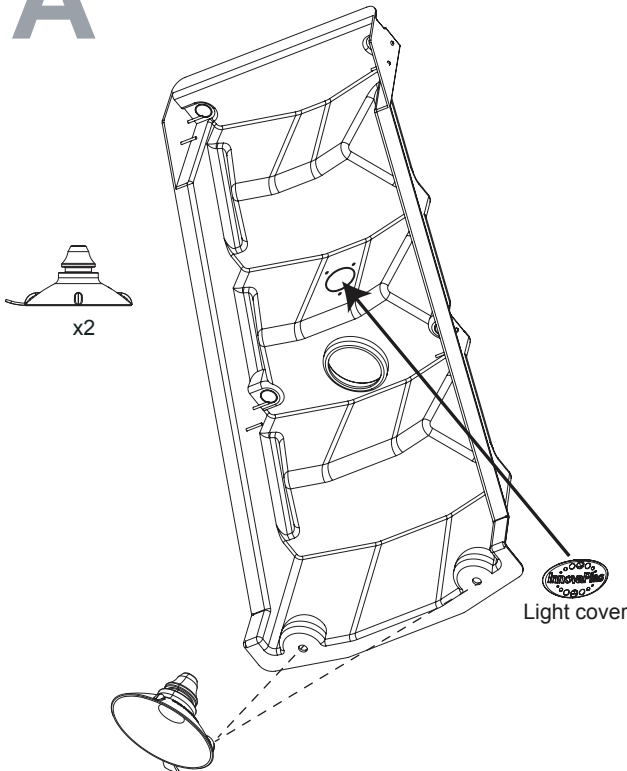
- ▶ Install the step on a flat surface.
- ▶ Do not jump or dive from the step.
- ▶ Remove the step from water when temperatures drop below freezing.
- ▶ In winter, the step should be stored in an area protected from snow.
- ▶ Never lift the step by its handrails.
- ▶ Use BATTERY operated tools to avoid electric shock near water.
- ▶ Ensure no corrosive materials are added to the step or hardware kit.
- ▶ The step must be installed per manufacturer's instructions.
- ▶ File off all stripped or sharp edges before assembly to avoid injuries and liner damage.
- ▶ The manufacturer is not responsible for damages or injuries caused by improper installation or use of product.
- ▶ To ease the installation of handrails and bolts, use a screwdriver to line up the holes.
- ▶ **Maximum weight: 350 lbs / 159 kg.**

Sand (not included)



A

1) Insert the two Step Cups™ in the holes under the step.*



A1) Insert half of the Step Cup mushroom ring in the hole, at a 45 degree angle.

A2) With a flat screwdriver, compress the Step Cup mushroom ring while pushing it into the hole.



A3) Twist the Step Cup to ensure that the mushroom ring has entirely cleared the wall thickness. If it has, the suction cup should rotate freely.

2) Align the light cover's two alignment rods into the small holes at the top of the larger hole. Insert the light cover by pressing firmly.

CAUTION

Failing to install the Step Cup™ system will greatly reduce the steadiness of the step and will void the manufacturer warranty.



* View step cups installation tips on YouTube:
<https://www.youtube.com/watch?v=W5RH1VNxpu0>

MANUFACTURER WARRANTY

**1 year on pool step.
 1 year on hardware.**



2257 route 139
 Drummondville, Québec
 J2A 2G2

WWW.INNOVAPLAS.COM

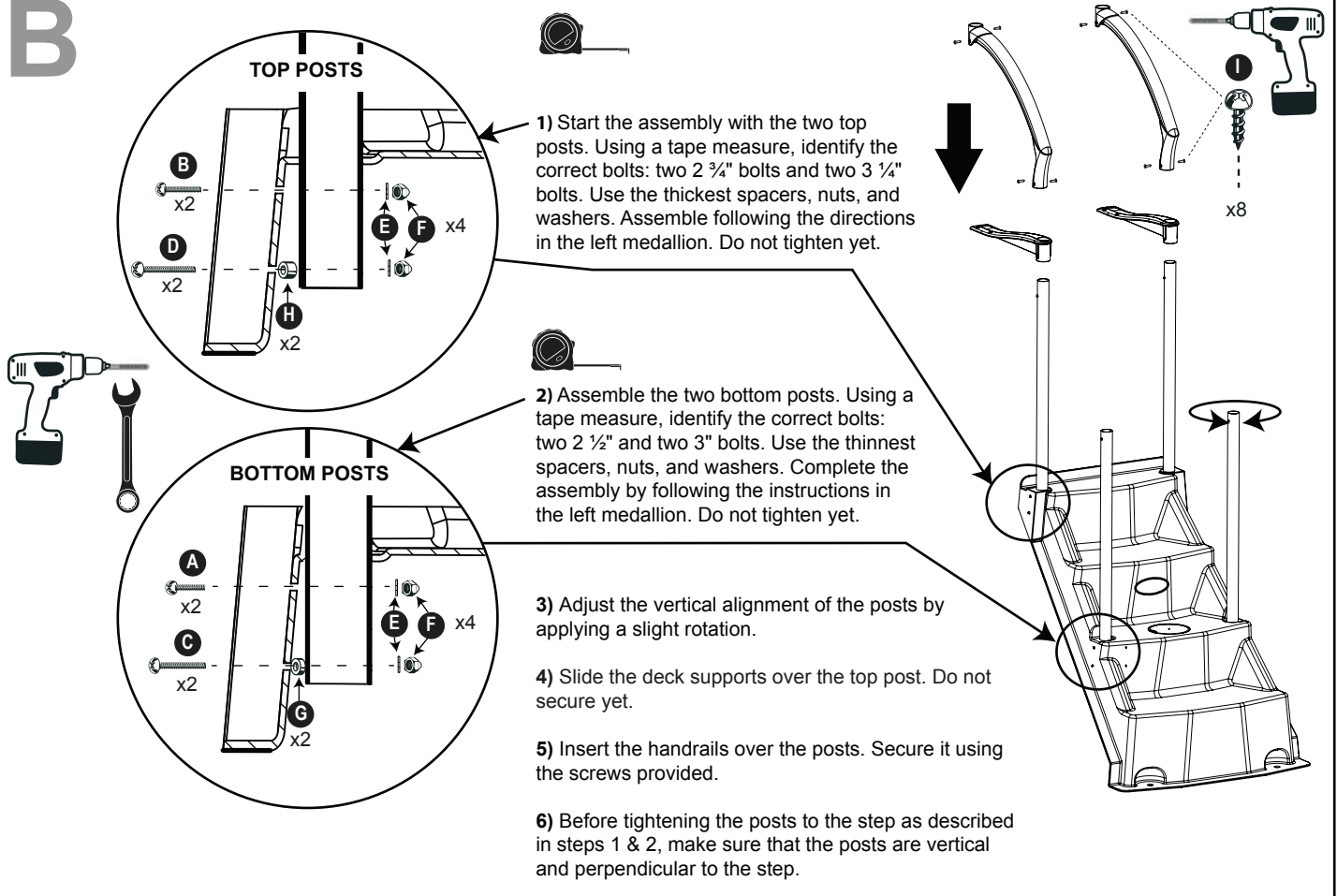
REV. 03/09/2020

PN:

PG:1

ROYAL ENTRANCE II WITH DECK

B



C

1) Fill the ballast with sand. The approximate weight should be 15 lbs.

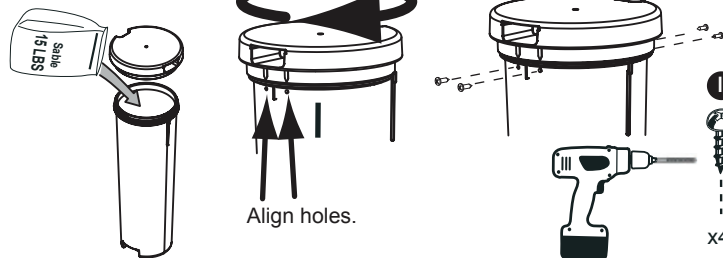
2) Screw the lid in place and align the cover ribs with the holes in the ballast base.

3) Fasten the cover to the ballast base with the four screws provided.

4) Slowly submerge the step into the pool. Make sure you do not damage the pool liner in the process.

5) Slide the deck supports to the height of the deck.

6) Drop the ballast in the step hole.

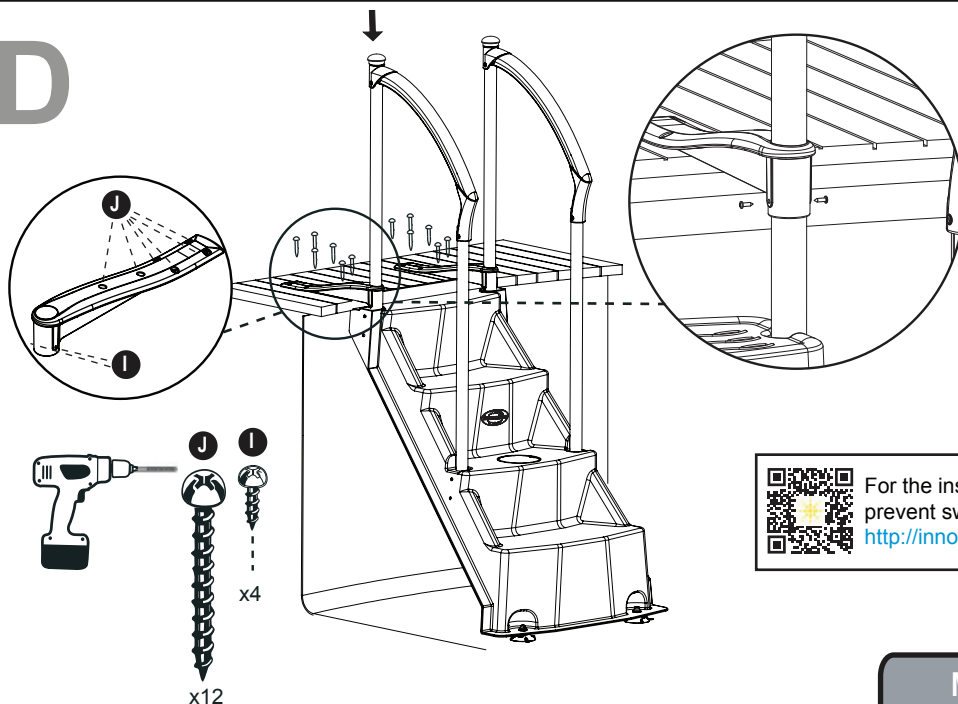


MINIMUM 1"

CAUTION

To prevent pool liner puncture, keep a minimum 1" gap between the pool liner and the rear underside of the step.

D



1) Affix the deck supports to the deck with the screws supplied.

2) Install the post covers on the handrails.

3) Pull the deck supports (already fixed to the deck) upwards to create a spring effect on the step.

4) Fasten the supports to the rear posts while pushing the entire step downwards.



For the installation of the optional safety fence to prevent swimming behind the step, visit our website: <http://innovaplas.com/instructions>

MANUFACTURER WARRANTY

1 year on pool step.
1 year on hardware.



2257 route 139
Drummondville, Québec
J2A 2G2

WWW.INNOVAPLAS.COM

REV. 03/09/2020

PN:

PG:2