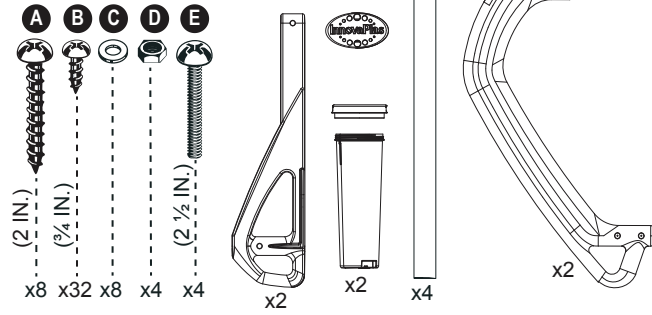


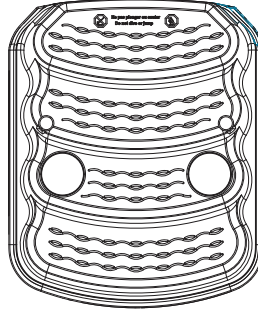
# ELEGANT WITH SAFELADDER 1004

## Contents of the Accessory box SKU # 1002-HRK

SCREW KIT 140-0006

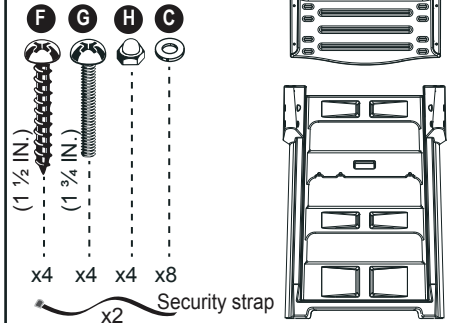


## Step Shell



## Contents of ladder box SKU # 1004

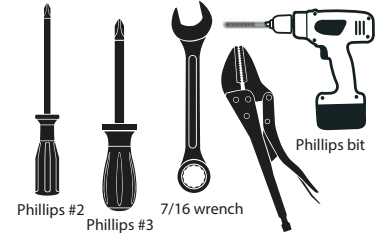
SCREW KIT 140-0013



## ⚠ WARNING

- ▶ Install the step on a flat surface.
- ▶ Do not jump or dive from the step or ladder.
- ▶ Remove the step from water when temperatures drop below freezing.
- ▶ In winter, the step should be stored in an area protected from snow.
- ▶ Never lift the step by its handrails.
- ▶ Use BATTERY operated tools to avoid electric shock near water.
- ▶ Ensure no corrosive materials are added to the step or hardware kit.
- ▶ The step must be installed per manufacturer's instructions.
- ▶ File off all stripped or sharp edges before assembly to avoid injuries and liner damage.
- ▶ The manufacturer is not responsible for damages or injuries caused by improper installation or use of product.
- ▶ To ease the installation of handrails and bolts, use a screwdriver to line up the holes.
- ▶ Maximum weight: 400 lb / 180 kg.

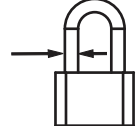
## Required tools (not included)



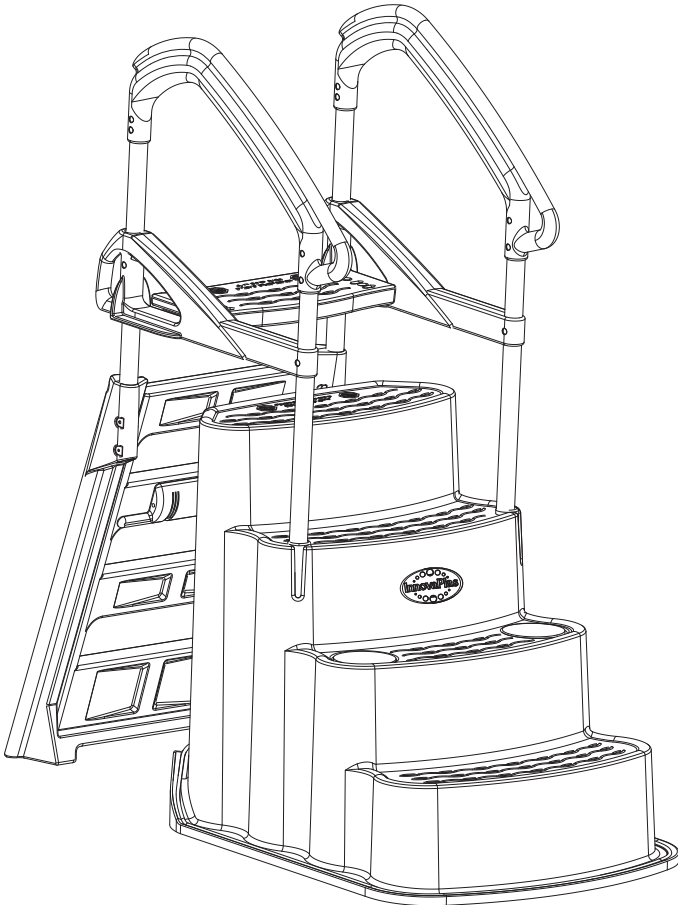
## Also required, but not included



A weather-resistant padlock is recommended.

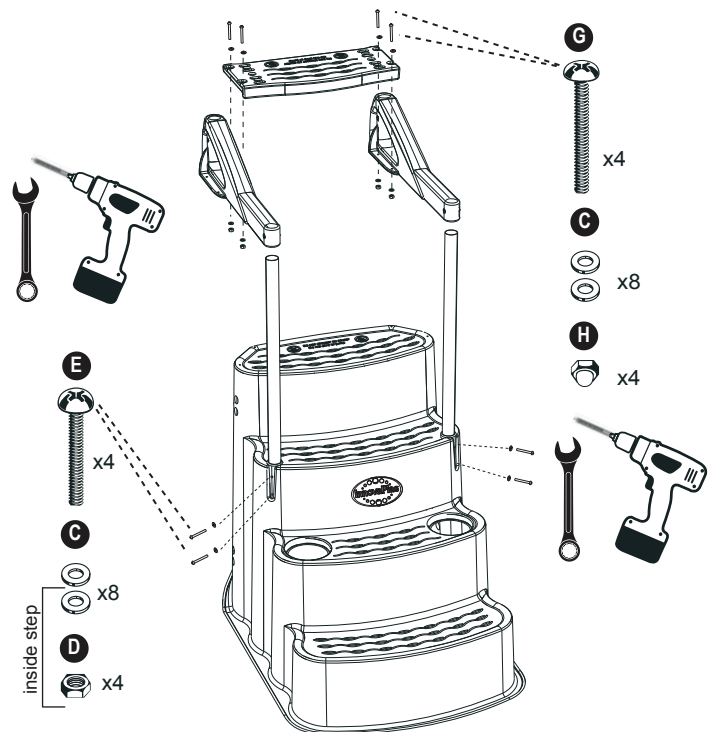


Maximum functional width of 1/4 inch.



# A

- 1) Assemble the platform to the two lateral supports using the screws, washers and nuts provided.
- 2) Assemble the tubes to the step with the screws, washers and nuts provided.



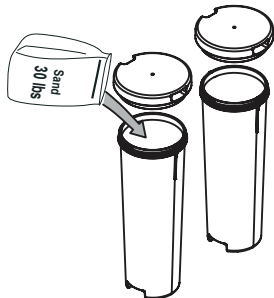
## MANUFACTURER WARRANTY

1 year on step and ladder  
1 year on hardware.

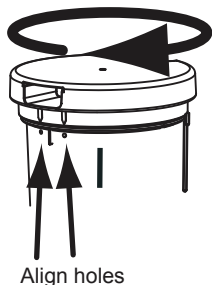
# ELEGANT WITH SAFELADDER 1004

## B

1) Fill the ballast with sand. The approximate weight should be 15 lbs per ballast.

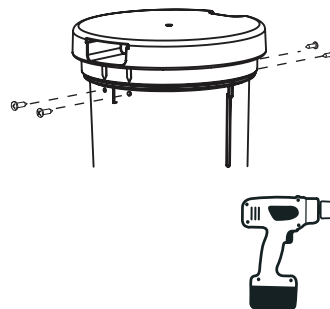


2) Screw the lid in place and align the cover ribs with the holes in the ballast base.



Align holes

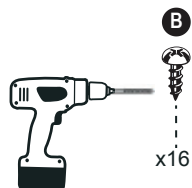
3) Fasten the cover to the ballast base with the four screws provided.



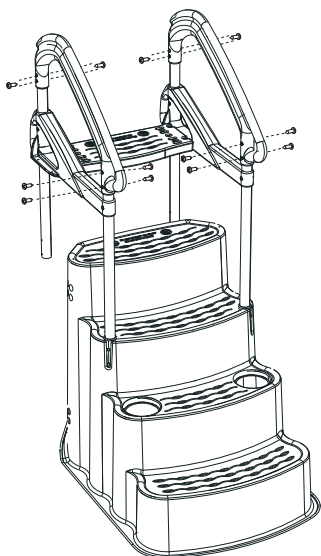
B

x8

## C



1) Install the handrails and two rear posts on the step and secure in place with the screws provided.

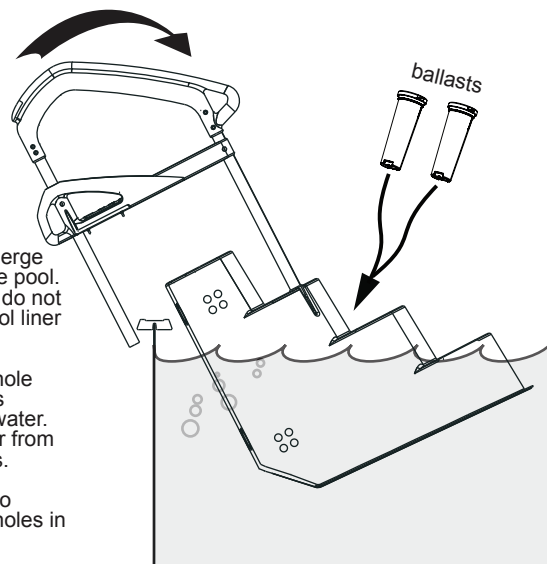


## D

1) Slowly submerge the step into the pool. Make sure you do not damage the pool liner in the process.

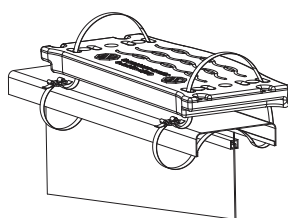
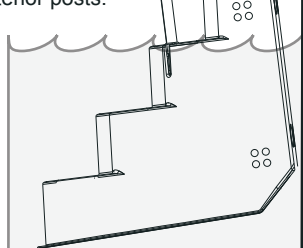
2) Angle the whole step so that it is entirely under water. Purge all the air from under the steps.

3) Install the two ballasts in the holes in the step.



## E

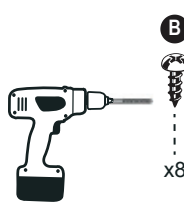
1) Pivot the assembly and insert the ladder frame on the two exterior posts.



x2  
Security strap

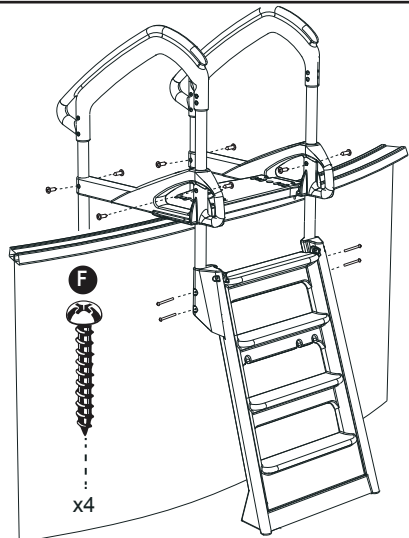
2) Once the step is in the pool secure the platform to the top seat (see illustration) using the two straps provided.

## F



1) Secure the ladder to the rear posts using the four screws provided.

2) Secure the lateral supports to the post using the eight screws provided.

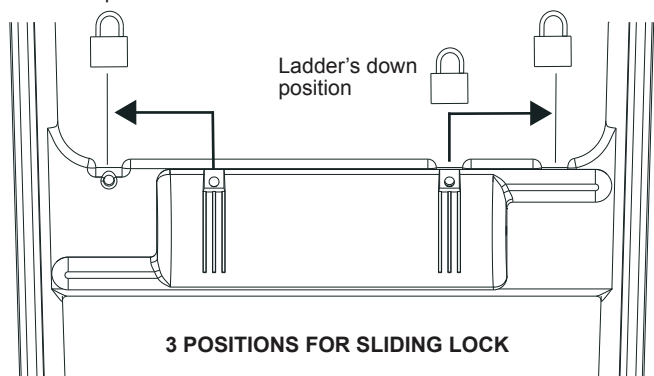


## G

lock 48" pools

lock 52" pools

Ladder's down position



3 POSITIONS FOR SLIDING LOCK

## H

**⚠ WARNING**

**LOCK THE LADDER TO THE STEP WITH A PADLOCK IN THE APPROPRIATE HOLE WHEN THE POOL IS NOT IN USE TO PREVENT DROWNING AND UNAUTHORIZED ENTRY.**

