

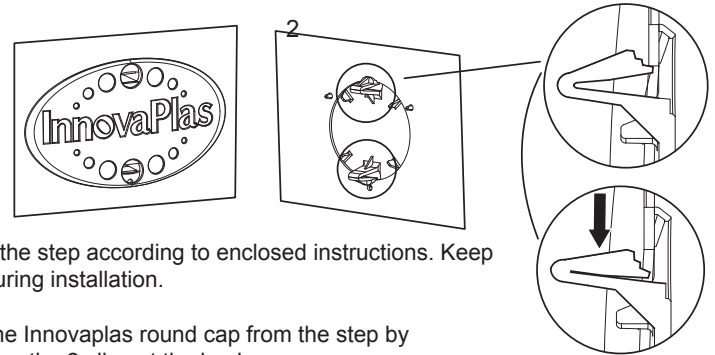
## ⚠ WARNING

- ◆ Risk of drowning by entanglement; secure the power cord with tie wrap supplied as per instructions.

## TABLE OF CONTENTS

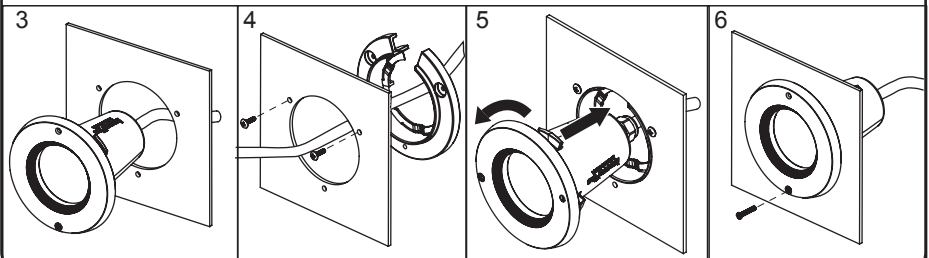
- A) Light installation on the step.
- B) Deck installation.
- C) Step combo Installation
- E) Winter storage & used battery disposal.

## A LIGHT INSTALLATION ON THE STEP

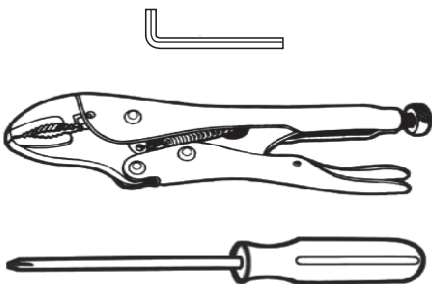


- 1) Assemble the step according to enclosed instructions. Keep step dry during installation.
- 2) Remove the InnovaPlas round cap from the step by compressing the 2 clips at the back.
- 3) Insert the lighting fixture from the outside of the step.
- 4) Pass mounting ring through front of hole and fasten using the 2 screws provided.
- 5) Insert light fixture by aligning the ring and turning 1/4 turn towards left.
- 6) Apply locking screw. Plug it in.

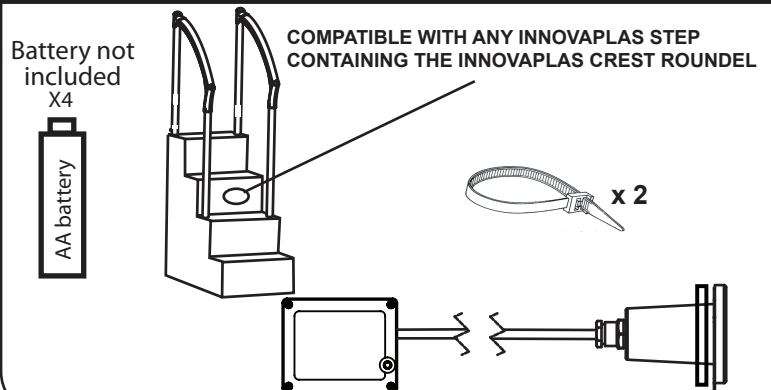
**IMPORTANT:** Use supplied tie-wraps to attach electric cord to a post as shown. Do not submerge the battery pack, the product could be damaged.



## TOOLS REQUIRED (Not Included)



## REQUIRED FOR SKU # 9080



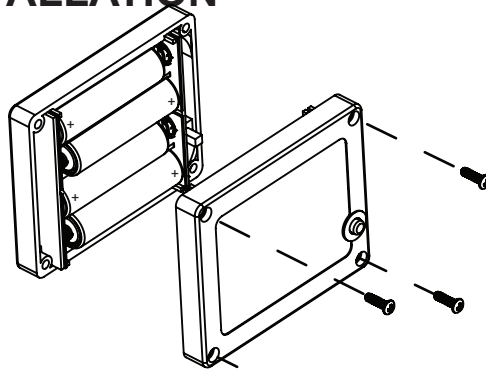
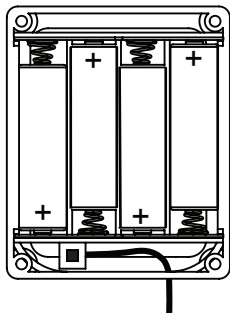
**InnovaPlas**  
The pool Step Company

**MANUFACTURER  
WARRANTY**

**LIMITED WARRANTY**

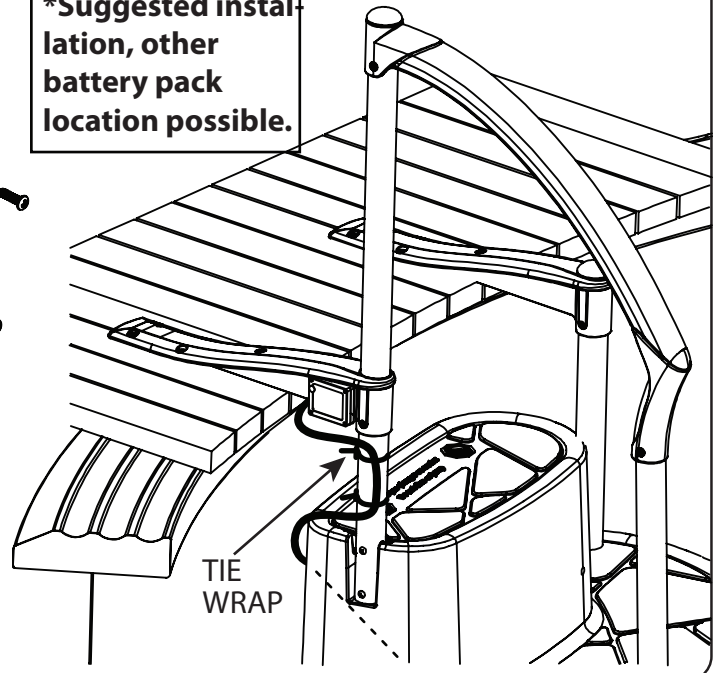
**30 days on manufacturing defects.  
Replacement only.**

## B DECK INSTALLATION\*

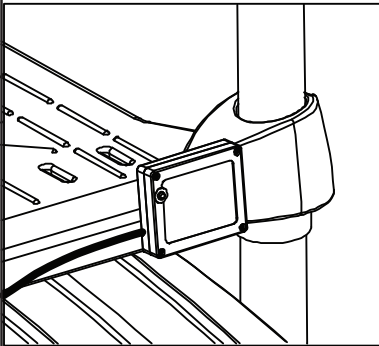


\*Suggested installation, other battery pack location possible.

- 1) Unfasten the four screws and remove the battery cover. Install the 4 AA battery with the correct polarity as described.
- 2) Make sure that the surface is free of dust and free of grease before you apply the adhesive tape. Peel the adhesive backing from the back of the box.
- 3) Apply on the deck bracquet or other suitable locations.
- 4) Secure the electrical cord to the tubular post with the tie wraps provided.

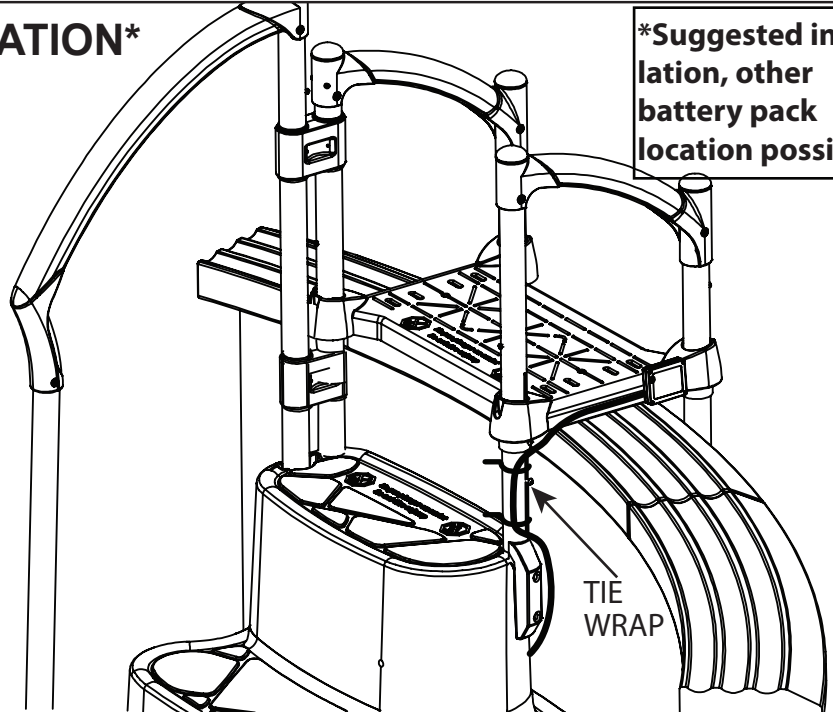


## C STEP COMBO INSTALLATION\*



- 1) Install the battery as per above instructions. Peel the adhesive backing.
- 2) Apply on platform edge.
- 3) Secure the electrical cord to the tubular post with the two tie wraps provided.

\*Suggested installation, other battery pack location possible.



## D WINTER STORAGE & USED BATTERY DISPOSAL

Remove the step and light fixture assembly from the pool and store in a dry and unexposed storage facility. Do not dispose of used batteries in the regular trash bin! Recycle used batteries at approved local facilities.

### ⚠ CAUTION

- ◆ The lighting fixture may be damaged if subjected to freezing weather.
- ◆ Remove the entire step assembly from the pool and allow all water to drain from the step and dry before storing.
- ◆ Store in a dry location unexposed to winter conditions.
- ◆ Do not submerge the battery pack, the product could be damaged.
- ◆ Do not throw used battery in trash bin that may contain hazardous materials.

REV. 2013/01/16

**InnovaPlas**  
The pool Step Company

Contact your InnovaPlas dealer for more informations on the product.

370, boul Lajeunesse O.  
Saint-Jérôme, QC  
J7Y4E5  
WWW.INNOVAPLAS.COM

