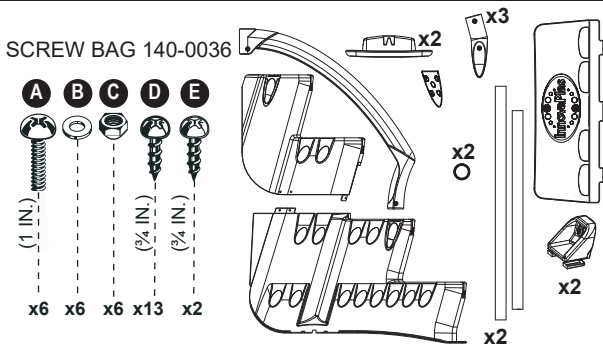
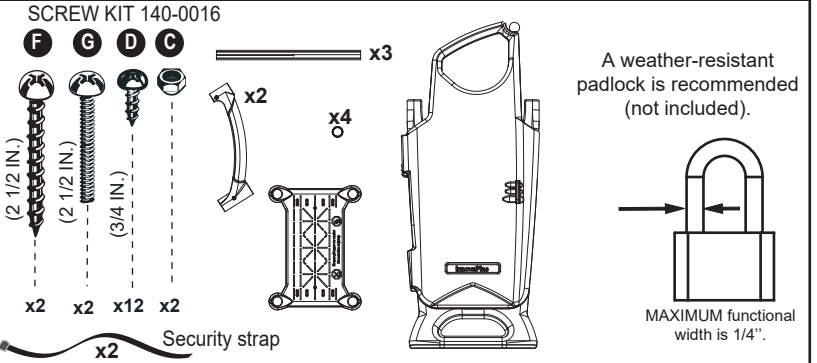


# BILTMOR 5015 WITH SELF-LATCHING 9600

## Contents of the Biltmor box SKU # 5015



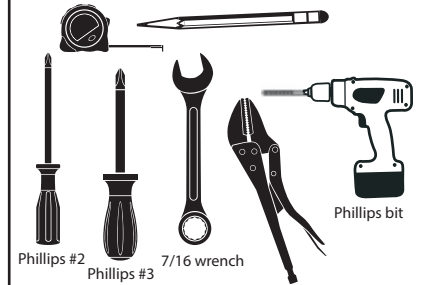
## Contents of the Self-Latching box SKU # 9600



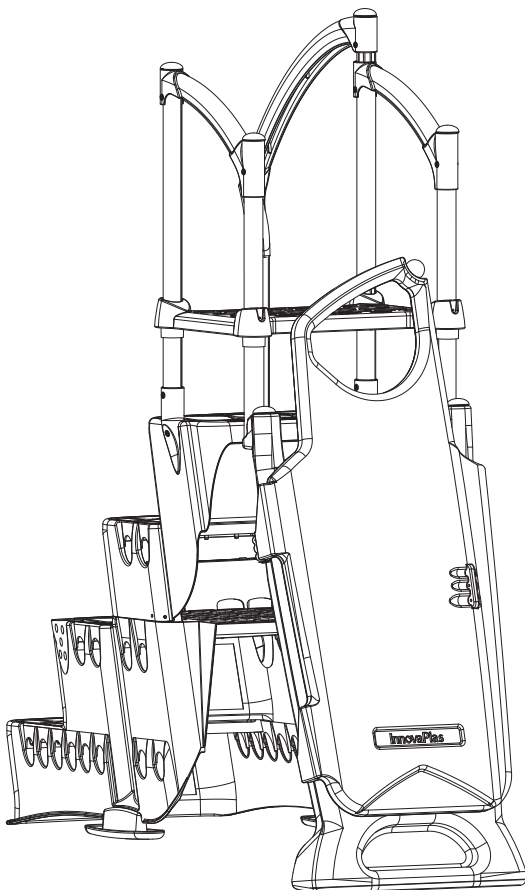
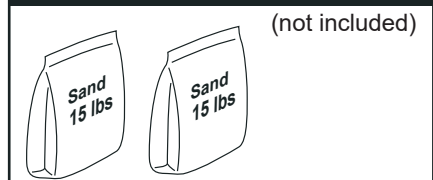
## ⚠ WARNING

- ▶ Install the step on a flat surface.
- ▶ Do not jump or dive from the step or ladder.
- ▶ Remove the step from water when temperatures drop below freezing.
- ▶ In winter, the step should be stored in an area protected from snow.
- ▶ Never lift the step by its handrails.
- ▶ Use BATTERY operated tools to avoid electric shock near water.
- ▶ Ensure no corrosive materials are added to the step or hardware kit.
- ▶ The step must be installed per manufacturer's instructions.
- ▶ File off all stripped or sharp edges before assembly to avoid injuries and liner damage.
- ▶ The manufacturer is not responsible for damages or injuries caused by improper installation or use of product.
- ▶ To ease the installation of handrails and bolts, use a screwdriver to line up the holes.

## Required tools (not included)

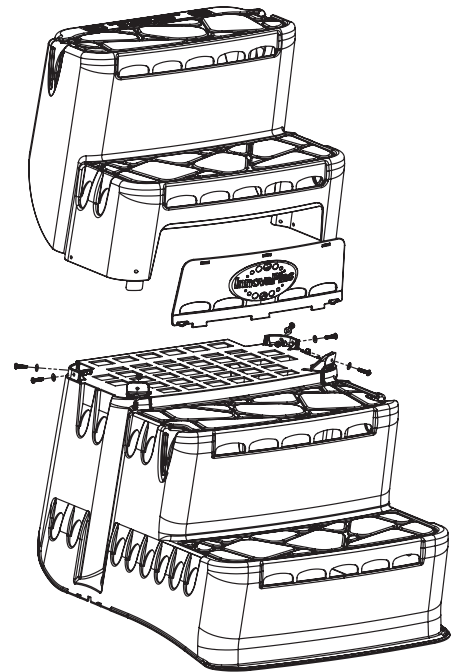
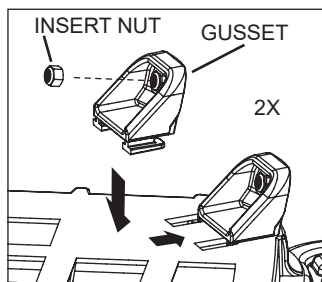
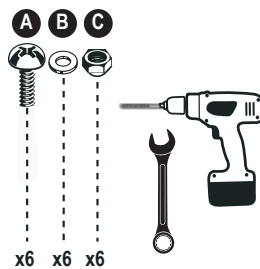


## Sand



## A

- 1) Insert the two gussets in the slots and slide them toward the corners.
- 2) Assemble the two main modules with the six screws, nuts and washers provided.
- 3) Snap the door between the top and bottom module within the slots provided.



## MANUFACTURER WARRANTY

**1 year on step and closure.  
1 year on hardware.**



2257 route 139  
Drummondville, Québec  
J2A 2G2

WWW.INNOVAPLAS.COM

REV. 01/30/2020

PN:

PG:1

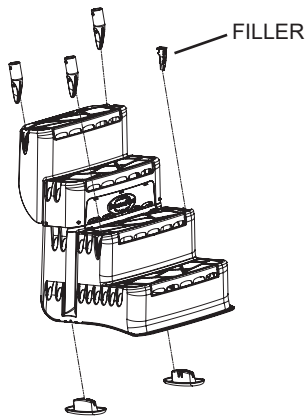
# BILTMOR 5015 WITH SELF-LATCHING 9600

## B

1) Snap the three post ends into the step, making sure that the cylindrical part is vertical and that the ends are snapped properly in their respective housings.

2) Snap the filler post end into the step as shown.

3) Snap the two feet to the bottom of the step.



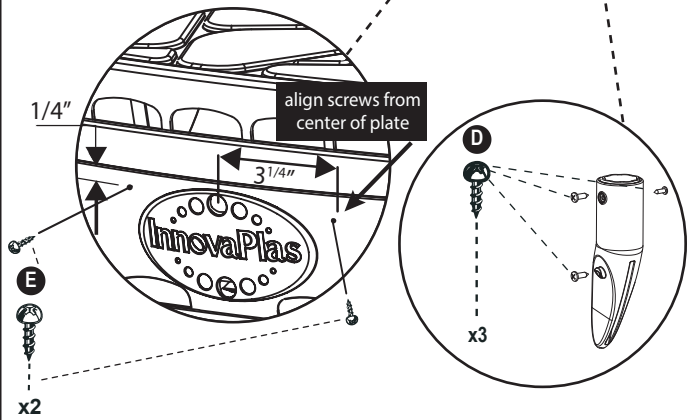
## C

1) Insert the two large posts and the 35" post into the post ends and secure them in place with the screws provided (see medallion).

2) Insert the platform over the two rear posts.

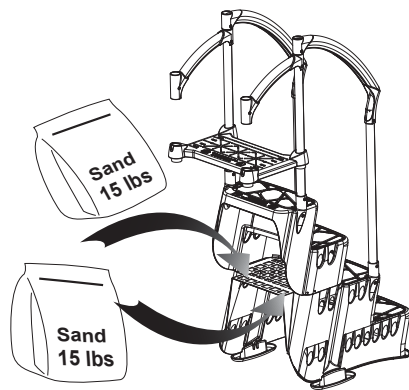
3) Insert the small and large handrails as illustrated. Secure the large handrail with the screws provided. Leave the small handrails floating.

4) Fasten the access panel with the screws provided.



## D

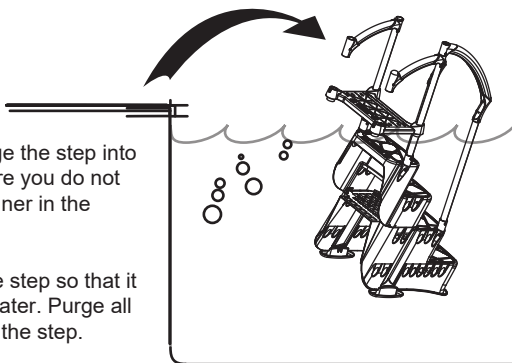
1) Insert 2 15 lbs (7 kg) sand bags on either side of the third step, as shown.



## E

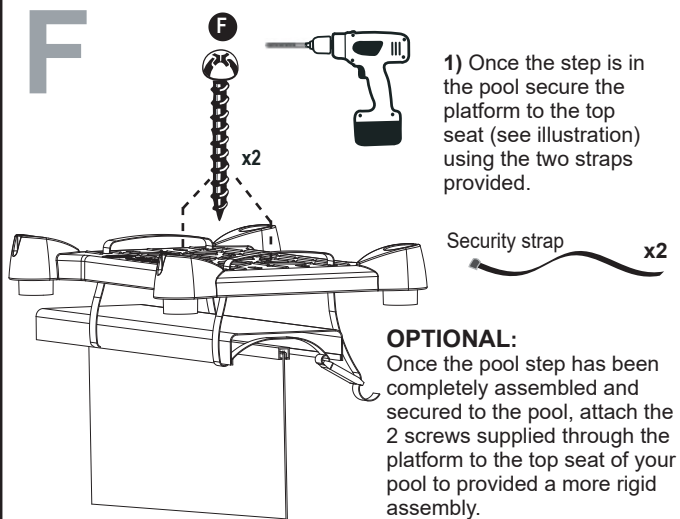
1) Slowly submerge the step into the pool. Make sure you do not damage the pool liner in the process.

2) Angle the whole step so that it is entirely under water. Purge all the air from under the step.



## F

1) Once the step is in the pool secure the platform to the top seat (see illustration) using the two straps provided.



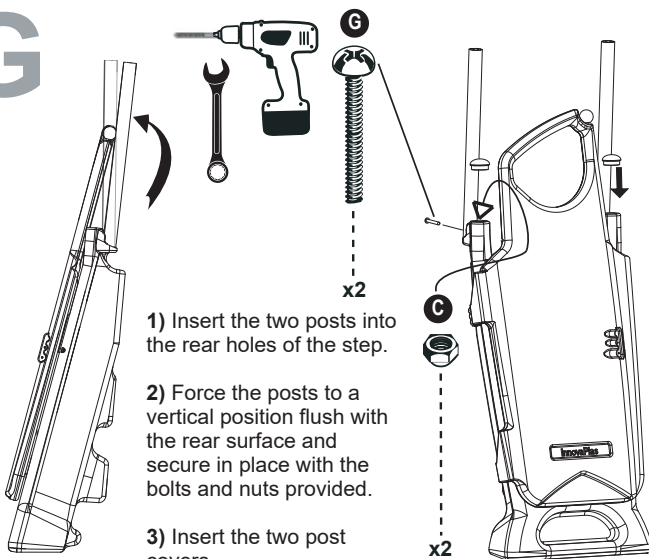
**OPTIONAL:**  
Once the pool step has been completely assembled and secured to the pool, attach the 2 screws supplied through the platform to the top seat of your pool to provided a more rigid assembly.

## G

1) Insert the two posts into the rear holes of the step.

2) Force the posts to a vertical position flush with the rear surface and secure in place with the bolts and nuts provided.

3) Insert the two post covers.



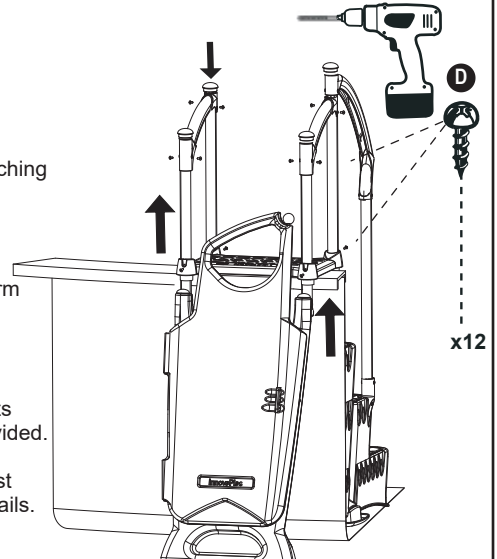
## H

1) Slide the Self-Latching posts through the platform and small handrails.

2) Secure the platform using the screws provided.

3) Secure the small handrails to the posts with the screws provided.

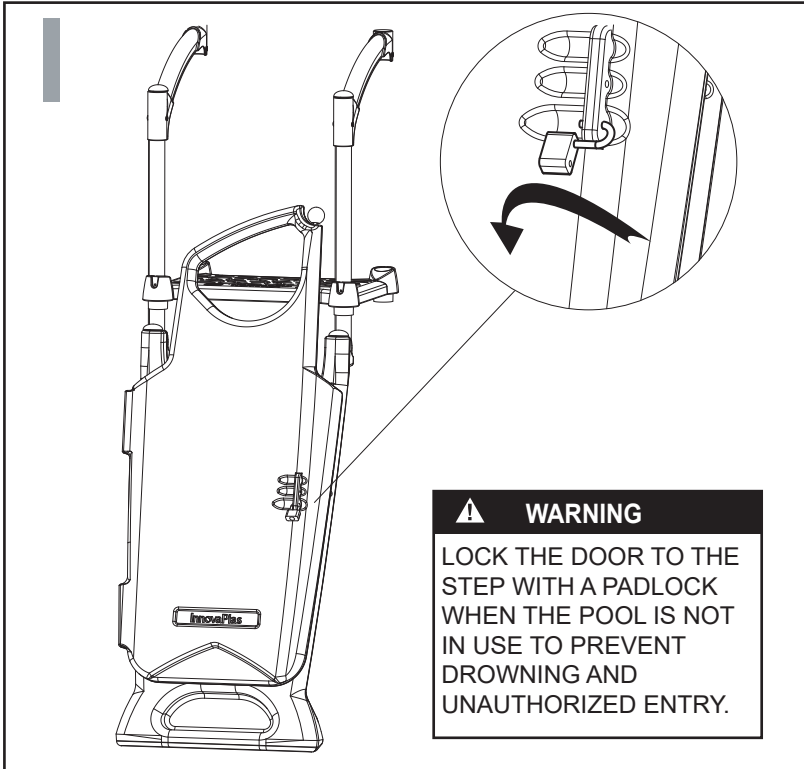
4) Insert the four post covers on the handrails.



### MANUFACTURER WARRANTY

**1 year on step and closure.  
1 year on hardware.**

# BILTMOR 5015 WITH SELF-LATCHING 9600



## MANUFACTURER WARRANTY

**1 year on step and closure.  
1 year on hardware.**