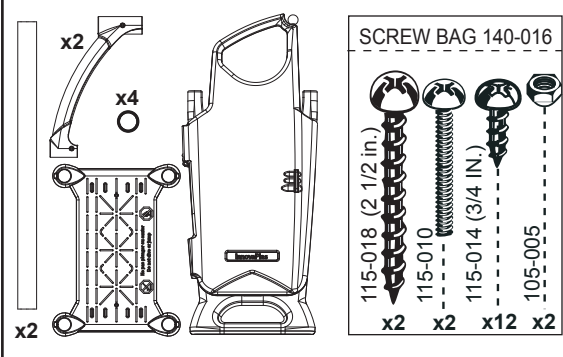
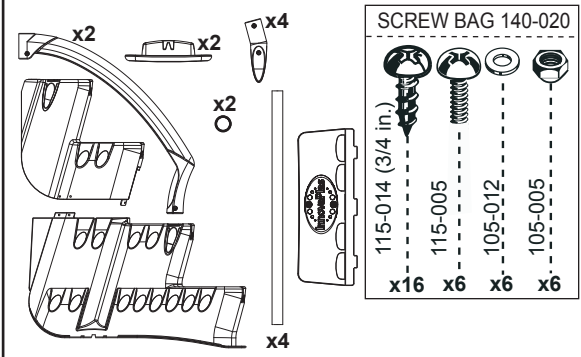


BILTMOR 5001 WITH SELF-LATCHING 9600

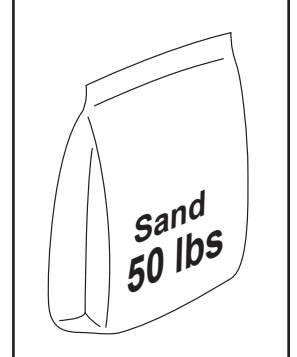
Contents of Self-Latching box SKU # 9600



Contents of the Biltmor box SKU # 5001



Sand (not included)

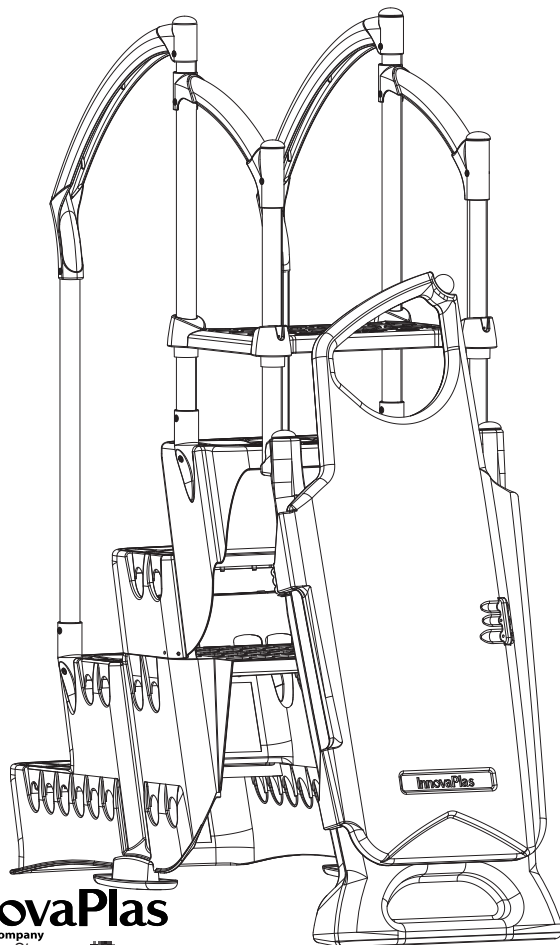
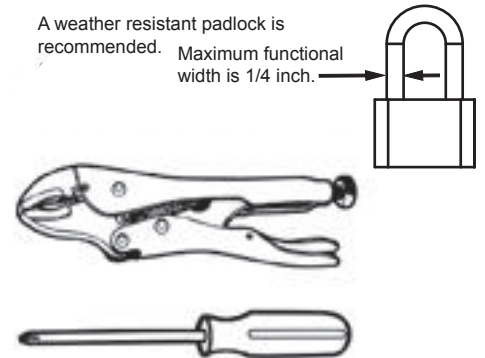


⚠ WARNING

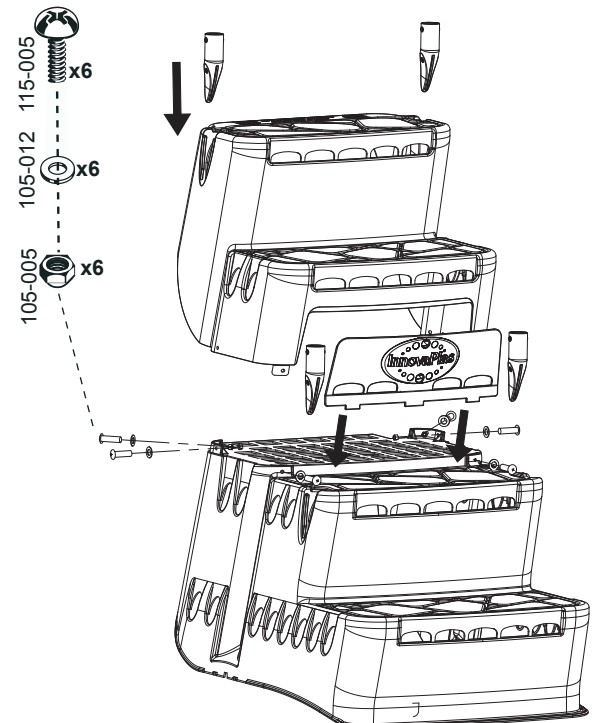
- ◆ Do not dive or jump from step or ladder.
- ◆ Use BATTERY operated tools to avoid electric shocks.
- ◆ Install step on flat surface, following the manufacturers instructions.
- ◆ Remove step from pool during freezing climate season.
- ◆ Manufacturer cannot be held responsible for injuries caused by abusive use of product.
- ◆ Ask your city about specific regulations that apply to your above-ground pool and ladder.

Required tools and supplies (not included)

A weather resistant padlock is recommended. Maximum functional width is 1/4 inch.

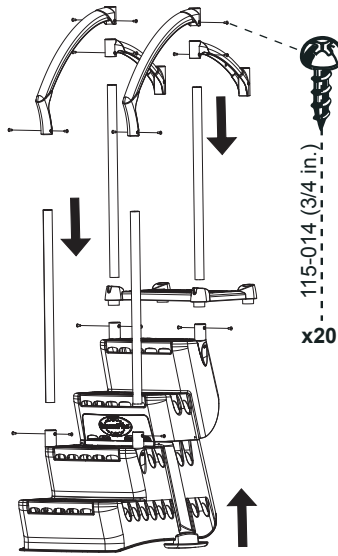


- A**
- 1) Assemble the two main modules with the six screws, nuts and washers provided.
 - 2) Snap the door between the top and bottom modules within the slots provided.
 - 3) Snap the four post ends into the step making sure that the cylindrical part is vertical and that the ends are placed and fitted properly in their respective housings.



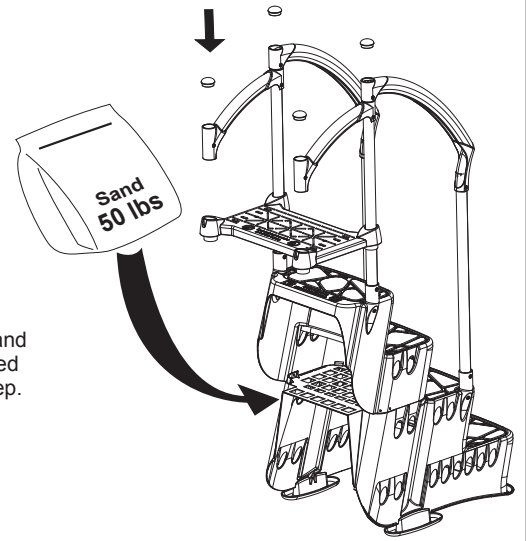
B

- 1) Snap the 2 feet to the bottom of the step.
- 2) Insert the four posts into the post ends and secure them in place with the screws provided.
- 3) Insert the platform over the 2 rear posts.
- 4) Insert the small and large handrails as illustrated. Secure the large handrails with the screws provided. Place the small handrails at the base of the large and secure them in place with the screws provided.



C

- 1) Install the four post covers.
- 2) Insert a bag of sand onto surface provided at the rear of the step.

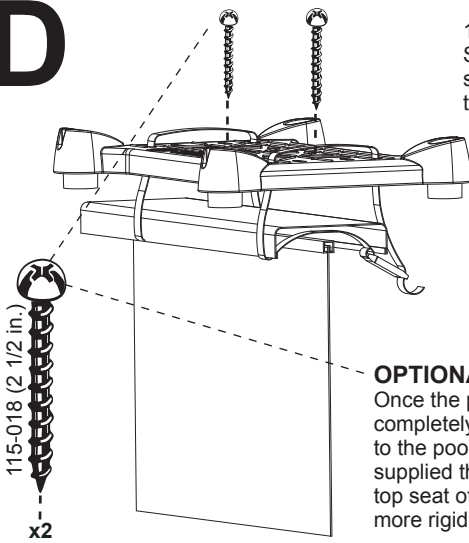


D

- 1) Slowly submerge the Step in the pool. Make sure you do not damage the liner in the process.
- 2) Once the step is in the pool secure the platform to the top seat (see illustration) using the two straps provided.

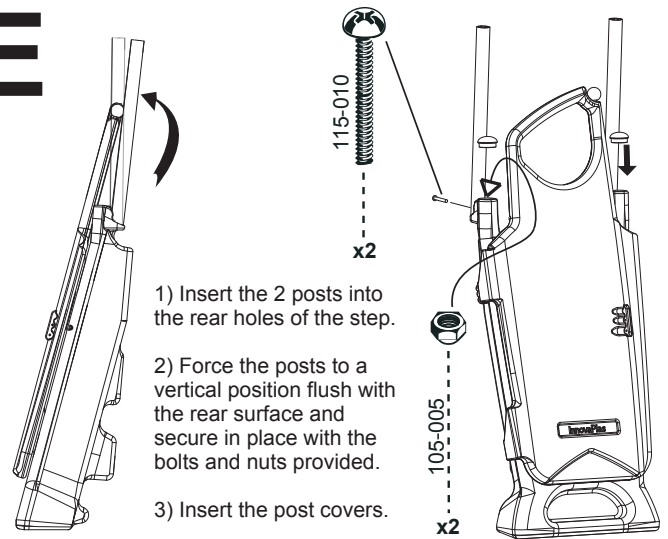
Security strap x2

OPTIONAL:
Once the pool has been completely assembled and secured to the pool, attach the 2 screws supplied through the platform to the top seat of your pool to provided a more rigid assembly.



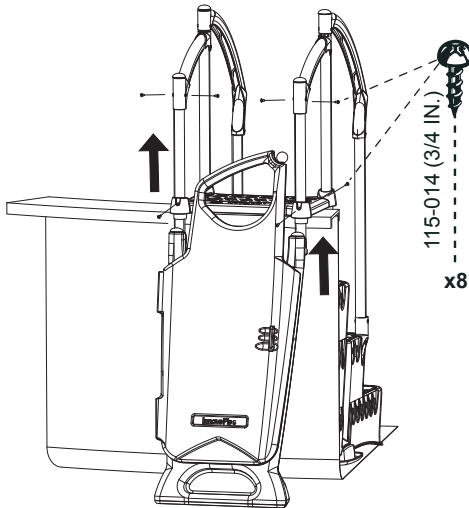
E

- 1) Insert the 2 posts into the rear holes of the step.
- 2) Force the posts to a vertical position flush with the rear surface and secure in place with the bolts and nuts provided.
- 3) Insert the post covers.

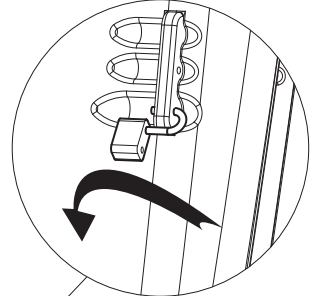


F

- 1) Slide the Self Latching posts through the platform and small handrails.
- 2) Secure the platform using the screws provided.
- 3) Secure the small handrails to the posts with the screws provided.



G



⚠ WARNING
LOCK THE DOOR TO THE STEP WITH A PADLOCK WHEN THE POOL IS NOT IN USE TO PREVENT DROWNING AND UNAUTHORIZED ENTRY.



370 Lajeunesse St,
St-Jérôme (Québec),
Canada J7Y4E5



MANUFACTURER WARRANTY
1 Year on the Self-Latching System and Biltmor.
1 year on the hardware